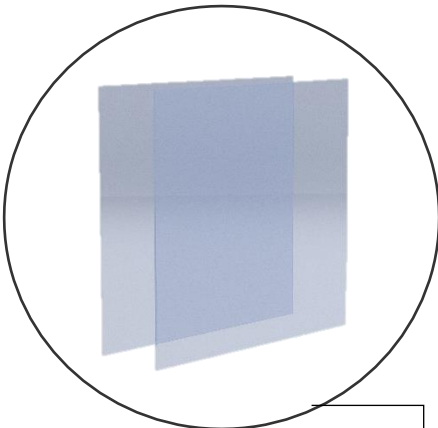
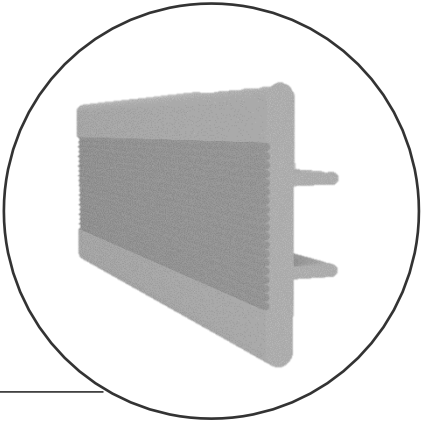


Top Mounted Aluminum Continue Hollow Channel System

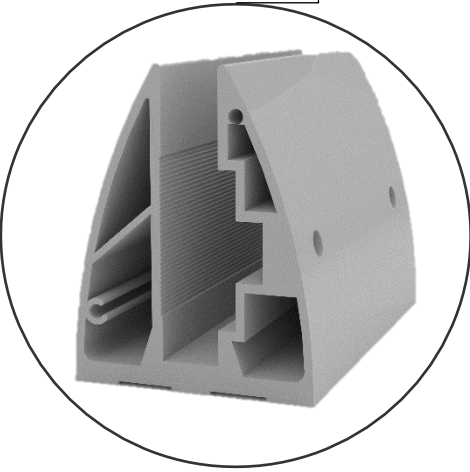
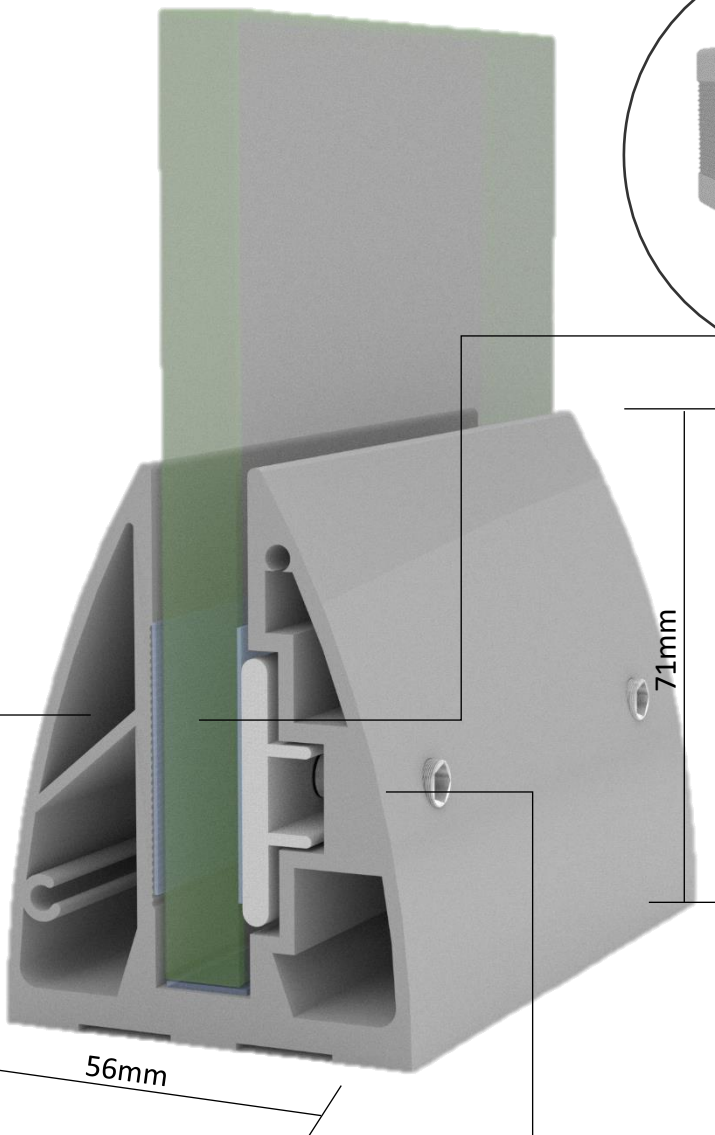
DTA81-GLS



Packer



Glass Packer



Channel

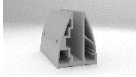


M6X50 Allen Bolt with
M6 Brass Achors



Grub Screw

Specification



Channel:

- Material: AL6063 T6
- Length: 12 Feet & 16 Feet
- Height: 71mm
- Width: 56mm
- Approx Weight: 13.380 KG / 16 Feet



Packer:

- Material: AL6063 T6



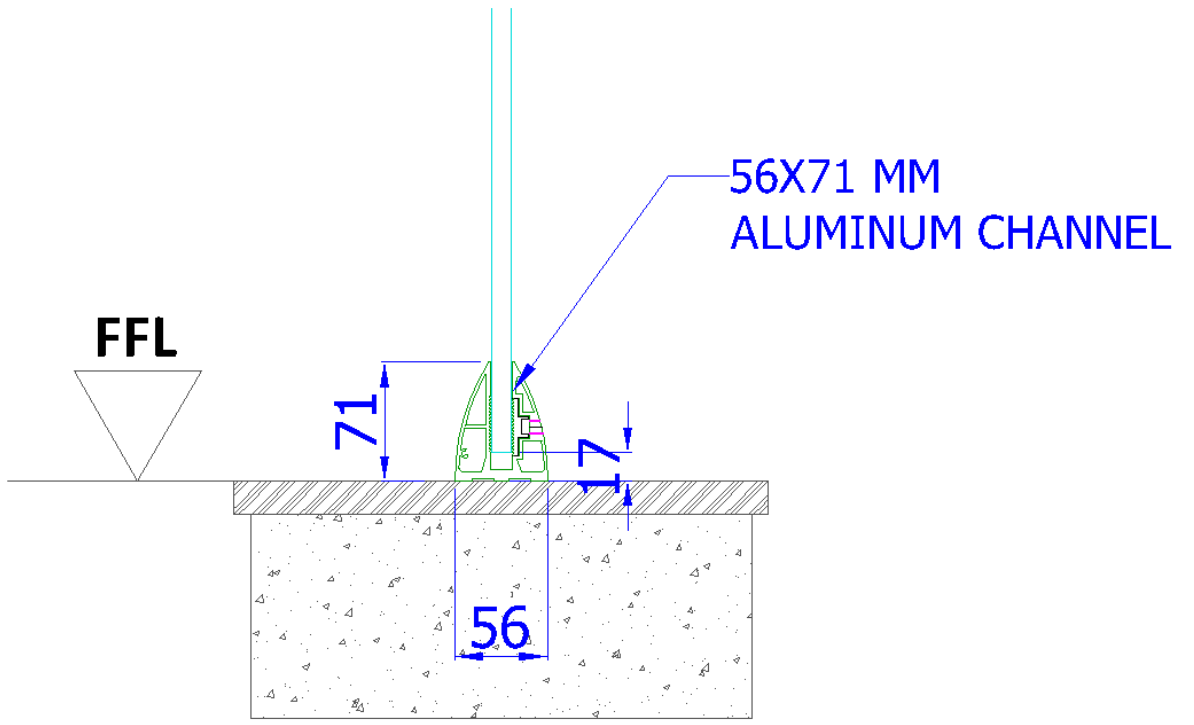
Anchor Fastner:

- Type: M6X50 Allen Bolt with M6 Brass Anchors (Counter Sunk)
- Placement: 450mm C/C



Powder Coating:

- Type: AkzoNobel
- Color/Shade: As per client preference and subject to availability and feasibility
- Coat thickness: 80-100 Microns
- Coating warranty: 10 years of Akzo Nobel Warranty



SIDE VIEW